



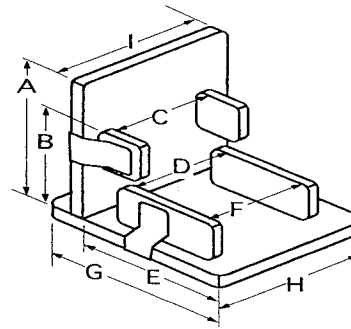
# Seating System Measurements

order form

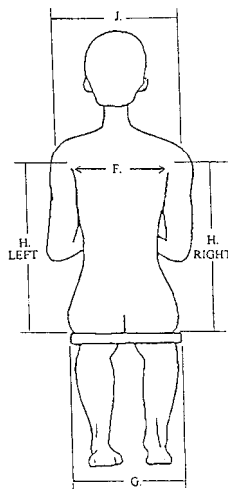
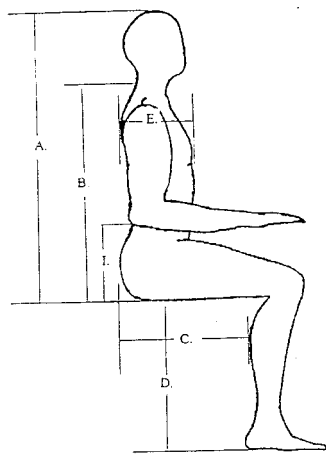
Company Name: \_\_\_\_\_  
 Phone Number: \_\_\_\_\_  
 P.O. Number: \_\_\_\_\_  
 Patient Name: \_\_\_\_\_  
 Chair Make: \_\_\_\_\_  
 Model: \_\_\_\_\_

Construction: \_\_\_\_\_  
 Chair Width \_\_\_\_\_ Chair Depth \_\_\_\_\_ Back Height \_\_\_\_\_

## Seat & Back Dimensions

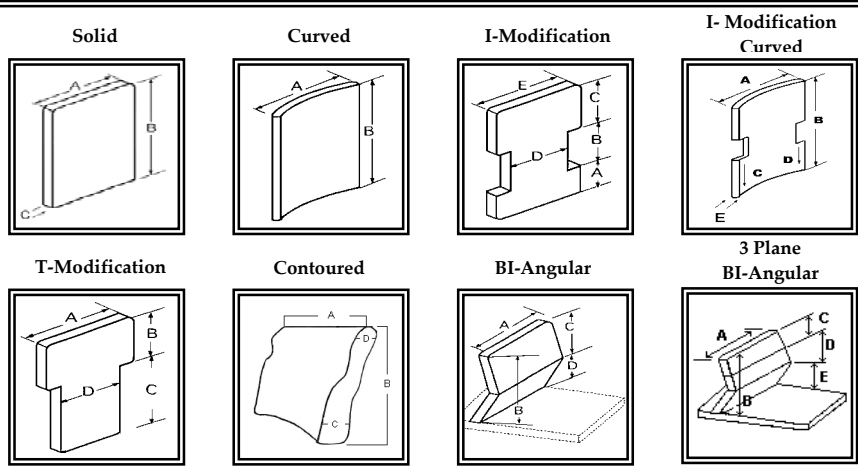


Back	
A	_____
I	_____
Seat	
G	_____
H	_____
E	_____
Laterals	
B	_____
C	_____
D	_____
F	_____

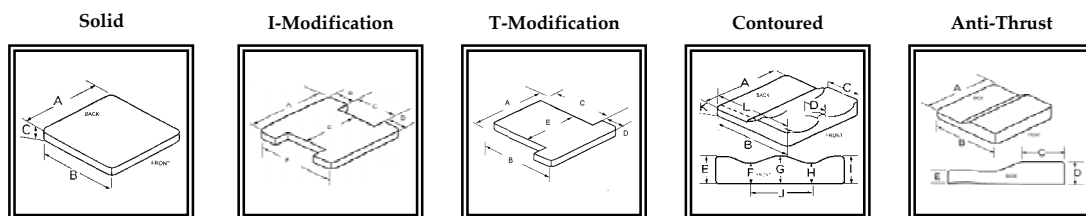


## Patients Measurements

- A. Seat to top of head \_\_\_\_\_
- B. Seat to top of shoulder \_\_\_\_\_
- C. Calf to buttocks:
  - Left \_\_\_\_\_ Right \_\_\_\_\_
- D. Leg length:
  - Left \_\_\_\_\_ Right \_\_\_\_\_
- E. Chest depth: \_\_\_\_\_
- F. Chest width: \_\_\_\_\_
- G. Hip width: \_\_\_\_\_
- H. Seat to axilla:
  - Left \_\_\_\_\_ Right \_\_\_\_\_
- I. Seat to elbow: \_\_\_\_\_
- J. Shoulder width: \_\_\_\_\_



## Back Diagrams



## Seat Diagrams



# Seating System order form

Put an "X" on the line  
that you want to order

item

catalog page#

HCPC code

## Chair Backs

pg 10-11

E2617

- solid
- curved
- I-modification
- I-modification curved
- T-modification
- contoured
- bi-angular
- 3-plane bi-angular

Refer to appropriate drawing on previous page for Back measurements.

a \_\_\_\_\_ b \_\_\_\_\_ c \_\_\_\_\_ d \_\_\_\_\_  
e \_\_\_\_\_

## Chair Seats

pg 12-13

E2609

- solid
- I-modification
- T-modification
- contoured
- anti-thrust

Refer to appropriate drawing on previous page for Seat measurements.

a \_\_\_\_\_ b \_\_\_\_\_ c \_\_\_\_\_ d \_\_\_\_\_  
e \_\_\_\_\_ f \_\_\_\_\_ g \_\_\_\_\_ h \_\_\_\_\_  
i \_\_\_\_\_ j \_\_\_\_\_ k \_\_\_\_\_ l \_\_\_\_\_

## Basic Alterations

pg 14

K0108

- seat  back frame notches
- seat  back third row of t-nuts
- seat  back embroidery

## Foam Alterations

pg 14

K0108

- seat  back additional HR foam (per inch)
- seat  back SunMate (per inch)
- seat  back Visco (per inch)
- seat  back yellow
- seat  back pink
- seat  back blue
- seat  back green
- seat  back Ethafoam

### Note:

Seats and backs come standard with:  
 1/2" wood base  
 black vinyl cover  
 1/2" HR foam  
 t-nuts

## Cover Alterations

pg 14

K0108

- seat  back dartex: regular, rubber side out
- seat  back neoprene: black, tan, blue, purple, red
- seat  back vinyl: bone, black, blackberry, imperial, regimental, royal, space, ridge, regatta, mint, forest, dusty jade, goldenrod, sun, mandarin, peach, burgundy, claret, american beauty, tomato, raspberry, rose, mauve, crocus, plum

## Mounting Hardware

pg 29-31

K0108

- seat  back fixed drop:  0"  1"  1 1/2"  2"  3"
- seat  back fixed lift:  1/2"  1"  1 1/2"
- seat  back adjustable drop:  2hole  4hole  6hole  8hole
- seat  back adjustable lift:  4hole  5hole  6hole  8hole



# Seating System Accessories

order form

Put an "X" on the line that you want to order

item	catalog page#	HCPC code	item	catalog page#	HCPC code
<b>Headrest Pads</b>	<b>pg 16</b>	<b>E0955</b>	<b>Hip Pads</b>	<b>pg 18</b>	<b>E0957</b>
___ standard			___ 8" ___ 10" ___ 12" ___ 14" ___ 16" ___ 18" ___ 20"		
___ small			<b>Sub-Asis Bars</b>	<b>pg 18</b>	<b>K0108</b>
___ combination			___ 12" ___ 14" ___ 16" ___ 18"		
___ large			___ hook/release		
___ soft curved			___ high profile		
___ small			___ low profile		
___ large			<b>Abductors</b>	<b>pg 19</b>	<b>E0957 + E1028</b>
<b>Headrest Hardware</b>	<b>pg 16-17</b>	<b>E1028</b>	___ small		
___ standard offset			___ medium		
___ bracket mount			___ large		
<b>Occipital Bars</b>	<b>pg 17</b>	<b>K0108</b>	<b>Knee Blocks</b>	<b>pg 19</b>	<b>K0108</b>
___ small			___ 12" ___ 14" ___ 16" ___ 18"		
___ large			<b>Ankle Positioners</b>	<b>pg 26</b>	<b>E0951 + E0952</b>
<b>Chest Harnesses</b>	<b>pg 24-25</b>	<b>E0960</b>	___ small		
___ male			___ medium		
___ female			___ large		
___ x-small			<b>Shoe Holders</b>	<b>pg 20</b>	<b>K0108</b>
___ small			___ standard		
___ medium			___ extended		
___ large			___ x-small		
___ fixed strap			___ small		
___ adjustable strap			___ medium		
<b>Positioning Belts</b>	<b>pg 25-26</b>	<b>E0978</b>	___ large		
___ non-padded			<b>Foot Boxes</b>	<b>pg 21</b>	<b>K0108</b>
___ padded, 2 point			___ one piece		
___ padded, 4 point			___ two piece		
___ 2" webbing			___ small		
___ 1½" webbing			___ medium		
___ 1" webbing			___ large		
<b>Torso Pads</b>	<b>pg 17</b>	<b>E0956</b>	___ x-large		
___ small			<b>Tray</b>	<b>pg 3-4</b>	<b>E0950</b>
___ medium			___ ¾" polycarbonate		
___ large			___ ¼" polycarbonate		
<b>Lateral Brackets</b>	<b>pg 32-33</b>	<b>E1028</b>	___ wood		
___ fixed			___ child		
___ swing-away			___ junior		
___ for Jay2 back			___ teen		
___ for Permobil back			___ adult		
<b>Arm Troughs</b>	<b>pg 19</b>	<b>E2209</b>	___ x-wide		
___ 12" ___ 14" ___ 16" ___ 18"			___ 2x-wide		