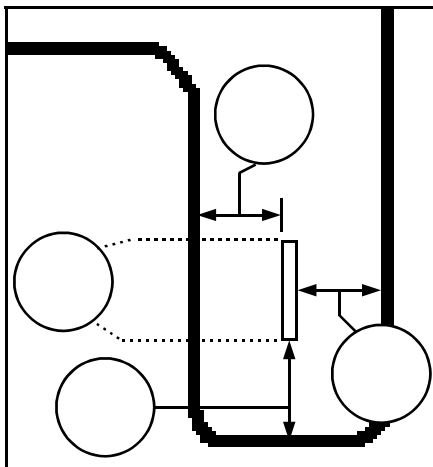
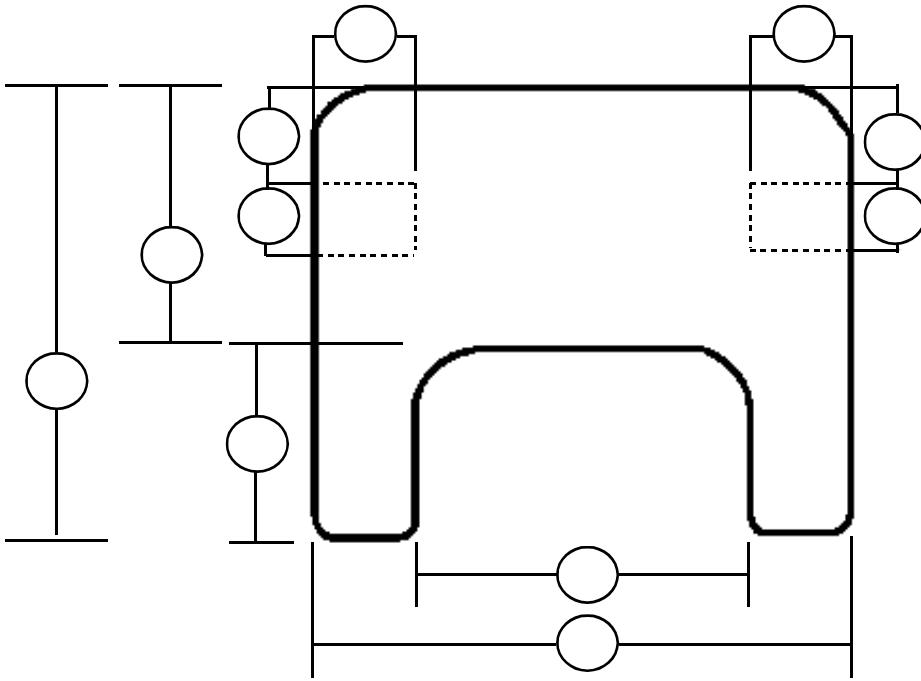
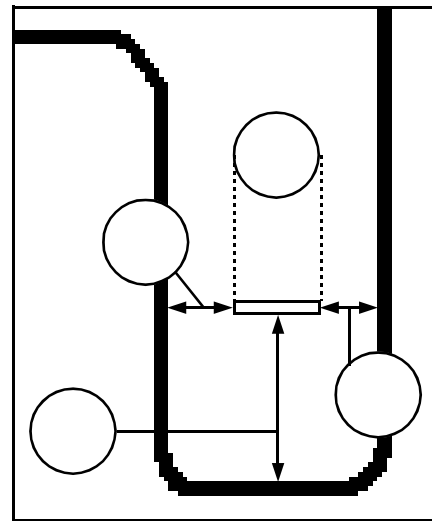


CUSTOM WHEELCHAIR TRAY ORDER FORM



VERTICAL SLOT



HORIZONTAL SLOT

**PLEASE FILL IN ALL APPROPRIATE DIMENSIONS.
SKETCH IN ANY SPECIAL CUTOUTS.**

FAX: 815-464-3576